



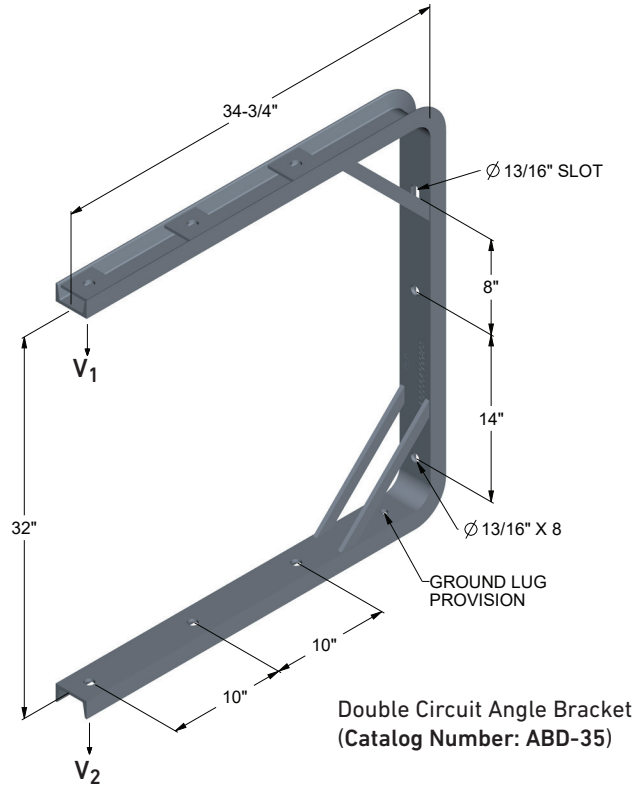
DOUBLE CIRCUIT ANGLE BRACKET

The **Double Circuit Angle Bracket** provides a streamline option for dual circuit application on a single pole. Designed for use on circuit voltages up to 35kV, the bracket is an effective use of space and hardware providing a cost-effective design. The bracket is ideally suited to be used with INSULIGN® Tie Top Insulators with Coated Ties or INSULIGN Vise Top Polymer Insulators. The brackets are interchangeable with other manufacturers' spacer cable systems.

FEATURES AND BENEFITS

- Keeps conductor spacing close for narrow corridors
- Center mounting hole doubles as mount for the Angle Messenger Clamp
- Pole mounting is achieved by using either 5/8" or 3/4" double arming or through bolts (not included)
- Double circuit angle capabilities in one bracket
- Provisional ground lug hole

DIMENSIONS



Catalog Number	System Voltage	Line Angle	Conductor Size	Insulator(s)	DIP-10 Insulator Plate
		Degrees			
ABD-35	15kV	7 - 60	All	IP-15-X IP-15-VTY IP-15-PVTY	N/A
		61 - 90			Required
	25kV	7 - 44	All	IP-25-XZ IP-25-VTYZ IP-25-PVTYZ	N/A
		45 - 60	Below 336.4		N/A
		45 - 60	336.4 or larger		Required
		61 - 90	All		Required
	35kV	7 - 44	All	IP-35-XZ IP-35-VTYZ IP-35-PVTYZ	N/A
		45 - 60	Below 336.4		N/A
		45 - 60	336.4 or larger		Required
		61 - 90	Not Recommended		

*This is the minimum insulator pin length required for clearance of the insulator with the channel bracket

X = Neck size designation, Y = Vise Top insert material, Z = Insulator pin size – 1" or 1-3/8"

ORDERING INFORMATION

Double Circuit Angle Bracket

Catalog Number	System Voltage	Minimum Yield Load		Weight	Material
		V1	V2		
		lb	lb	lb	
ABD-35	up to 35kV	1500	1500	46.5	Galvanized Steel